

Unbenannt

This is one of the better and more popular brands. It emits bursts of pulses at different frequencies. I did not find any spider webs inside this unit:

-----

Here is a higher end version of the same thing, with a few extra user selectable settings to allow audible as well as ultrasonic output so it can be more effective against animals:

-----

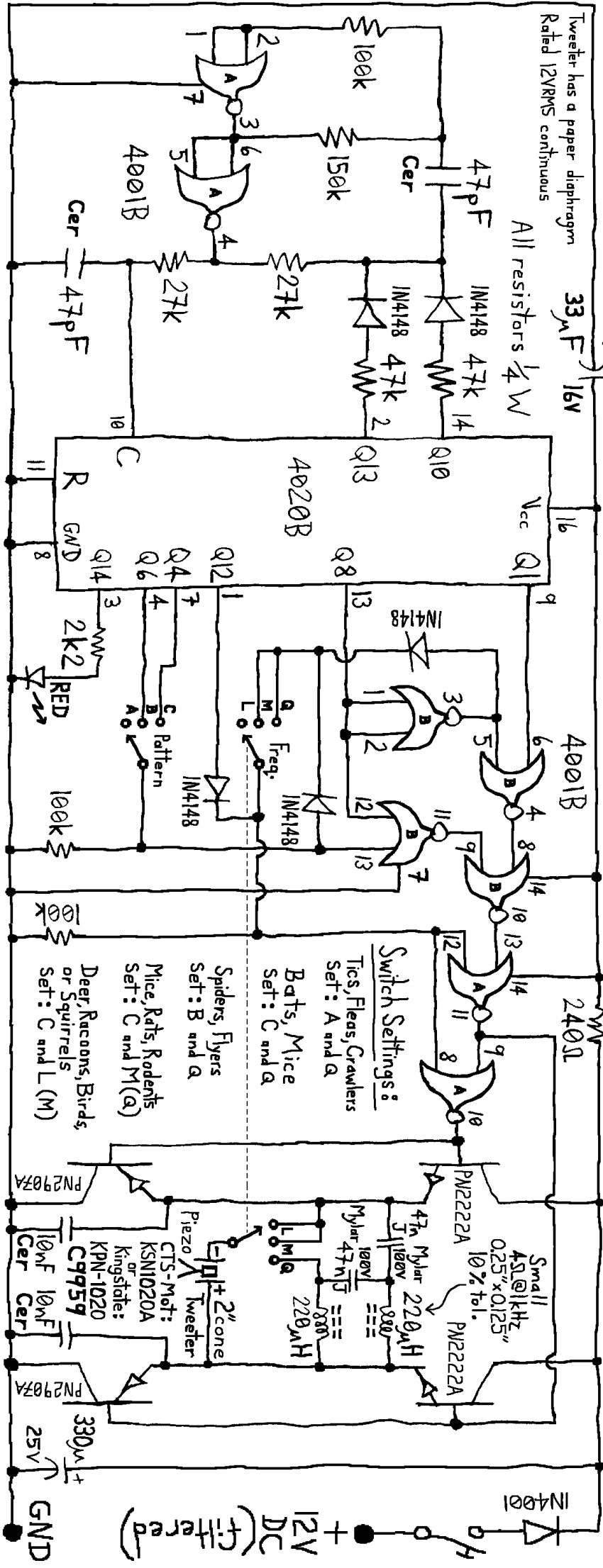
And a cheapo one that runs directly off the AC line:



# Ultrasonic Pest Repeller

Emits Patterns of pulses at 20-50KHz(M), + 5-12KHz(M), + 2-5KHz(L)

Tweeter has a paper diaphragm  
Rated 12VRMS continuous



All resistors 1/4 W

### Switch Settings:

- Ticks, Fleas, Crawlers  
Set: A and a
- Bats, Mice  
Set: C and a
- Spiders, Flyers  
Set: B and a
- Nice, Rats, Rodents  
Set: C and M(a)
- Deer, Raccoons, Birds,  
or Squirrels  
Set: C and L (M)

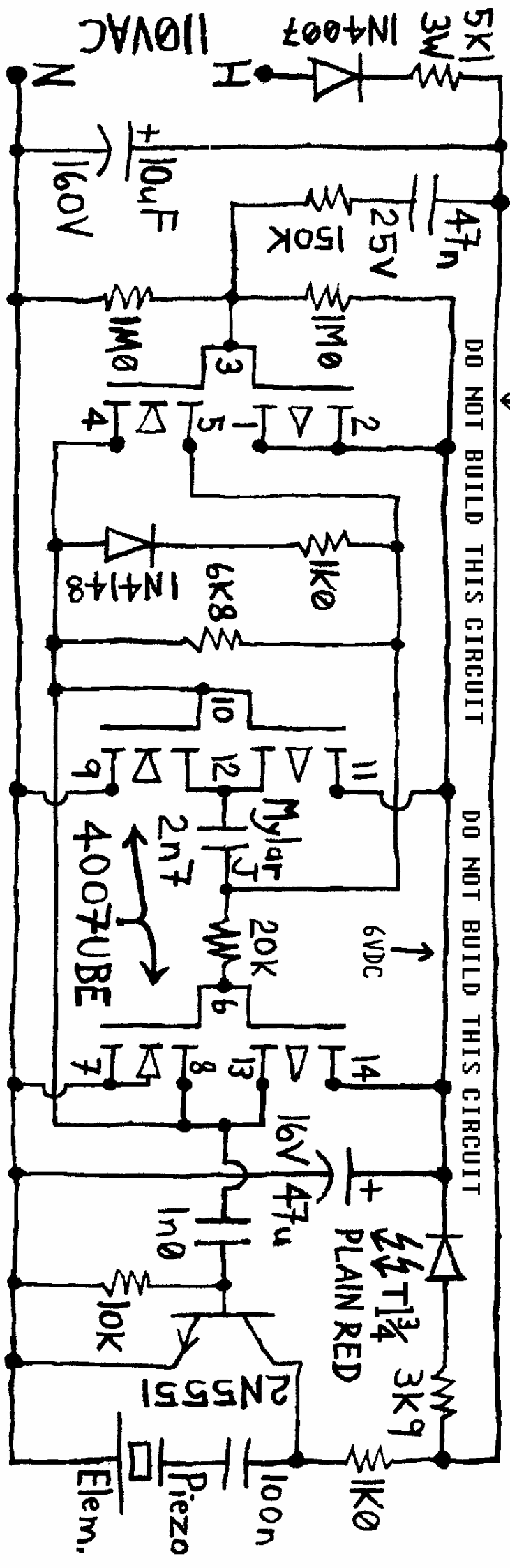
+12V DC (Filtered)

# ULTRASONIC PEST REPELLER

12V-20V  
RIPPLING DC

WARBLES  
35-57 KHZ

PLASTIC HOLDER  
2cm PIEZO ELEMENT  
SMALL AIR SPACE



DO NOT BUILD THIS CIRCUIT

DO NOT BUILD THIS CIRCUIT

6VDC

PLAIN RED

Elem.

4007-UBE

IN4148

150K

IN4007

5K1

3W

110VAC

N

H

160V

10uF

47n

25V

1M0

3

4

1

2

5

6K8

3K0

10

11

12

9

Mylar

2n7

20K

6

13

14

16V

47u

1n0

10K

2N5551

51

51

100n

Piezo

3K9

82T13

PLAIN RED

6VDC

DO NOT BUILD THIS CIRCUIT

DO NOT BUILD THIS CIRCUIT

12V-20V RIPPLING DC

WARBLES 35-57 KHZ

ULTRASONIC PEST REPELLER